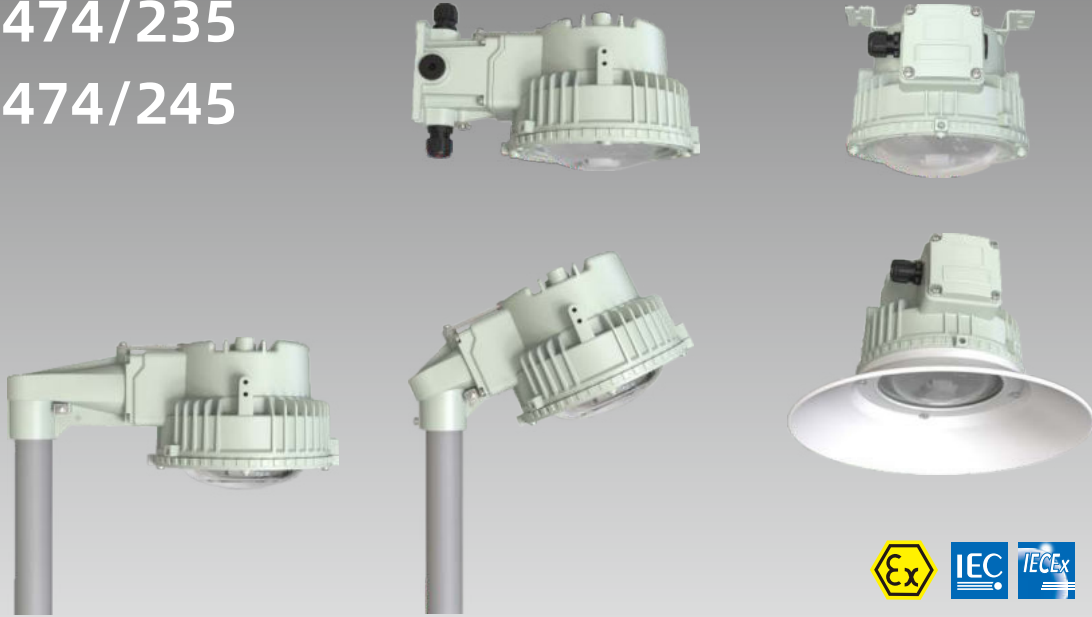


CZ6474/235

CZ6474/245


A

描述 Descriptions

防爆灯外壳由铝合金压铸成型，表面喷涂纯环氧树脂粉末，抗腐蚀性能好。透明罩采用硼硅酸盐钢化玻璃，外露紧固件采用不锈钢材料。防爆灯的接线盒侧面进线，适用于橡胶和铠装电缆布线，内部接线端子选用菲尼克斯国际认证笼式端子，便于接线。防爆灯具内部独特的隔热设计与外部高密度的散热片相结合散热效果更佳。防爆灯内装有LED光源和稳压电源。能满足石化、化学和海上工业照明的相关要求。

防爆灯可分为支架灯、平台灯和墙壁灯。

防爆支架灯安装形式可分为吸顶式、吸壁式、吊链式。

防爆平台灯C-90°安装形式可分为平台护栏式、平台法兰式两种。

防爆平台灯D-25°安装形式可分为平台护栏式、平台法兰式两种。

- 长寿命免维护，使用寿命长达50000小时，可实现长期免维护
- 具有良好的电磁兼容性，不会对系统电网造成干扰
- 电压波动无影响，宽电压设计
- LED属于固态光源，抗震性能佳
- 隔爆最高等级IIC级
- 安装维护方便
- 防护等级高达IP66
- 可定制高光效光源，光效≥135lm/W（符合中国一级能效标准）

1 区和 2 区

21 区和 22 区

Zone 1 and zone 2

Zone 21 and zone 22

The enclosures of explosion-proof light fittings are manufactured of die-cast aluminum alloy, with epoxy resin powder sprayed on the surfaces. Therefore, they have good anti-corrosion performance. The transparent shield is made by the toughened glass of borosilicate, and the exposed fasteners are made of stainless steel. Explosion-proof light fitting's terminal box side entry, is suitable for rubber-coated and the armored cable wiring. The internationally certified PHOENIX cage type terminals are selected as the internal terminals, which are convenient for wiring. The unique heat insulation design united with the exterior high density' radiator in the explosion-proof light fitting to cause the radiation effect will be better. The LED light source and stabilized voltage supply is supplied inside. It can satisfy the related requirements of illumination in petrochemical, chemical and marine industries.

Explosion-proof light fittings can be sorted as: bracket lamp, platform lamp and wall lamp.

Explosion-proof bracket type lamps can be sorted as: ceiling type, wall type and chain type.

The mounting ways of the explosion-proof platform light fittings C-90°are fence type and platform flange type.

The mounting ways of the explosion-proof platform light fittings D-25°are fence type and platform flange type.

- It is long life and maintenance-free which the service life is up to 50000 hours and the maintenance-free of long term.
- There is a feature of good electromagnetic compatibility and it does not cause interference to the system power grid.
- It is not influenced by the voltage fluctuations and can be operated in the wide voltage range
- There is a good performance of vibration due to the LED is the solid-state light source.
- The highest flameproof level is IIC.
- It is convenient to be mounted and maintained.
- The degree of protection is up to IP66.
- Can be customized high lighting effect light source, which over 135lm/W (comply to China level 1 energyefficiency standard)

产品特点 Product characteristics



国际认证笼式接线端子，更方便接线
It is easier to be wired by cage type terminal which is certified internationally.



灯具可按要求配置灯伞
The light fitting can be equipped with the lamp shade as request



灯具可按要求配置不锈钢网罩
The stainless steel mesh can be equipped as per request.

A

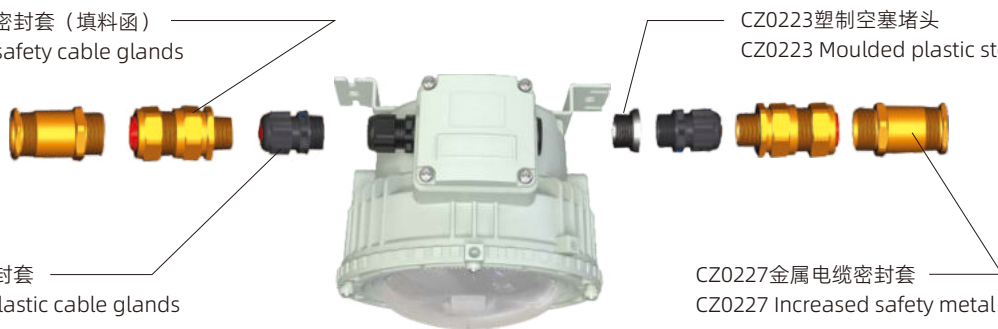
多种电缆引入装置 Many kinds of cable glands

CZ0226 增安型电缆密封套（填料函）
CZ0226 Increased safety cable glands (stopping boxes)

CZ0220 塑制电缆密封套
CZ0220 Moulded plastic cable glands

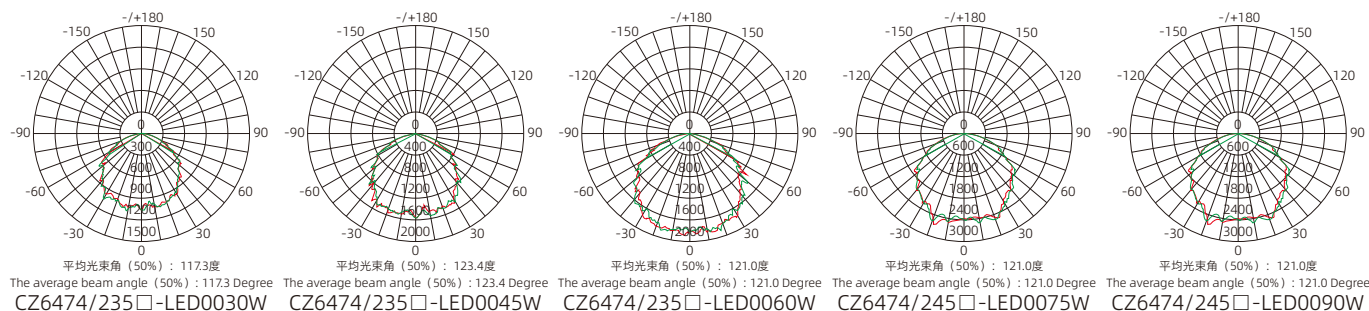
CZ0223 塑制空塞堵头
CZ0223 Moulded plastic stopping plugs

CZ0227 金属电缆密封套
CZ0227 Increased safety metal cable glands



配光曲线 Luminous intensity distribution curve — C0/180 — C90/270

光强单位 luminous intensity unit: cd / Lm



主要数据 Main technical data

认证 Certification	防爆标志 Ex mark	符合标准 Meet the standard
China	Ex db eb IIC/IIB+H ₂ T* Gb Ex tb IIIC T*°C Db	GB/T3836
IECEX	Ex db eb IIC/IIB+H ₂ T* Gb Ex tb IIIC T*°C Db	IEC60079
ATEX	Ⓔ II 2 GD Ex db IIC/IIB+H ₂ T* Gb Ex tb IIIC T*°C Db	EN60079

适用范围：用于 1 区和 2 区
用于 21 区和 22 区

Intended use: Can be used in zone 1 and zone 2
Can be used in zone 21 and zone 22

防护等级: IP66

Degree of protection: IP66

额定电压: 100 ~ 240V AC 50/60Hz, 127~ 250V DC

Rated voltage: 100 ~ 240V AC 50/60Hz, 127~ 250V DC

光源: LED

Light source: LED

色温: 标配5000K、(选配3000K、4000K、6500K)

Colour temperature: Standard 5000K, (Optional 3000K, 4000K, 6500K)

功率因素: > 0.98

Power factor: > 0.98

使用环境温度: -40°C≤Ta≤+40°C/+55°C (IIC)

Ambient temperature: -40°C≤Ta≤+40°C/+55°C (IIC)

-60°C≤Ta≤+40°C/+55°C (IIB+H₂)

-60°C≤Ta≤+40°C/+55°C (IIB+H₂)

(-60°C灯具电气设备需要定制)

(-60°C lamp electrical equipment need to be customized)

接线端子: L1、N 茺式端子 2-2.5mm², PE 端子 2×10mm²

Terminal: L1, N cage type terminal 2-2.5mm², PE terminal: 2×10mm²

电缆入口: **B**-支架灯

Cable entry: **B**-Bracket type lamp

塑制 1-M25×1.5, 电缆外径: Φ9-17mm

Moulded plastic 1-M25×1.5, Outside diameter: Φ9-17mm

塑制 1-M25×1.5 空塞堵头

Moulded plastic 1-M25×1.5 stopping plug

C-平台灯 90°、**D**-平台灯 25°

C-Platform type lamp 90°, **D**-Platform type lamp 25°

塑制 1-M25×1.5, 电缆外径: Φ9-17mm

Moulded plastic 1-M25×1.5, Outside diameter: Φ9-17mm

E-墙壁灯

E-Wall type lamp

塑制 1-M25×1.5, 电缆外径: Φ9-17mm

Moulded plastic 1-M25×1.5, Outside diameter: Φ9-17mm

塑制 3-M25×1.5 空塞堵头

Moulded plastic 3-M25×1.5 stopping plug

订购规格 Order specifications

图样 Illustration	功率 Power	光通量 Luminous flux	温度组别T* Temperature class*		重量(kg) Weight	订购号 Order No.
			Ta≤40°C	Ta≤55°C		
 B -支架灯 Bracket type lamp	30W	3450 lm	T6	T5	5.55	CZ6474/235□-LED0030W5-17-□-B+□
	45W	4905 lm	T6	T5	5.55	CZ6474/235□-LED0045W5-17-□-B+□
 C -平台灯 90° Platform type lamp 90°	60W	6153 lm	T6	T5	5.55	CZ6474/235□-LED0060W5-17-□-B+□
	75W	8995 lm	T6	T5	7.75	CZ6474/245□-LED0075W5-17-□-B+□
 D -平台灯 25° Platform type lamp 25°	90W	10192 lm	T6	T5	7.75	CZ6474/245□-LED0090W5-17-□-B+□

C-平台灯 90°
Platform type lamp 90°

D-平台灯 25°
Platform type lamp 25°

E-墙壁灯
Wall type lamp

B-支架灯 **B**-Bracket type lamp
C-平台灯 90° **C**-Platform type lamp 90°
D-平台灯 25° **D**-Platform type lamp 25°
E-墙壁灯 **E**-Wall type lamp

灯具安装形式
The mounting ways of the light fittings

3-3000K、**4**-4000K
5-5000K、**6**-6500K

色温
Colour temperature

4 - -40°C≤Ta≤+40°C/+55°C (IIC)
6 - -60°C≤Ta≤+40°C/+55°C (IIB+H₂)

使用环境温度
Ambient temperature

电缆引入装置编码 Code of cable gland

安装附件订购号 (不配不注)
Order No.of mounting accessories (Optional)

电缆密封套引入编码 Code of cable gland
B—支架灯电缆密封套编码 Code of cable gland for bracket type lamp

编码 Code	规格 Specifications	电缆直径 Cable diameter
B	塑制 1 个 M25×1.5 电缆密封套, 塑制 1 个 M25×1.5 空塞堵头 One moulded plastic M25×1.5 cable gland, one moulded plastic M25×1.5 stopping plug	Φ9-17mm
C	铜制 1 个 CZ0221/M25×1.5 金属电缆密封套, 塑制 1 个 M25×1.5 空塞堵头 One brass CZ0221/M25×1.5 metal cable gland, one moulded plastic M25×1.5 stopping plug	Φ9-17mm
D	塑制 2 个 M25×1.5 电缆密封套 Two moulded plastic M25×1.5 cable glands	Φ9-17mm
E	铜制 2 个 CZ0221/M25×1.5 金属电缆密封套 Two brass CZ0221/M25×1.5 metal cable glands	Φ9-17mm
F	铜制 1 个 CZ0227/M25×1.5-G ¾ "增安型金属电缆密封套, 塑制 1 个 M25×1.5 空塞堵头 One brass CZ0227/M25×1.5-G ¾ "increased safety metal cable gland, one moulded plastic M25×1.5 stopping plugs	Φ11-15mm
G	铜制 2 个 CZ0227/M25×1.5-G ¾ "增安型金属电缆密封套 Two brass CZ0227/M25×1.5-G ¾ "increased safety metal cable glands	Φ11-15mm

E—墙壁灯电缆密封套编码 Code of cable gland for wall type lamp

13	塑制 1 个 M25×1.5 电缆密封套, 塑制 3 个 M25×1.5 空塞堵头 One moulded plastic M25×1.5 cable gland, three moulded plastic M25×1.5 stopping plugs	Φ9-17mm
22	塑制 2 个 M25×1.5 电缆密封套, 塑制 2 个 M25×1.5 空塞堵头 Two moulded plastic M25×1.5 cable glands, two moulded plastic M25×1.5 stopping plugs	Φ9-17mm
31	塑制 3 个 M25×1.5 电缆密封套, 塑制 1 个 M25×1.5 空塞堵头 Three moulded plastic M25×1.5 cable glands, one moulded plastic M25×1.5 stopping plug	Φ9-17mm
40	塑制 4 个 M25×1.5 电缆密封套 Four moulded plastic M25×1.5 cable glands	Φ9-17mm
04	塑制 4 个 M25×1.5 空塞堵头 Four moulded plastic M25×1.5 stopping plugs	

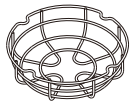
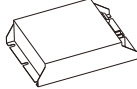
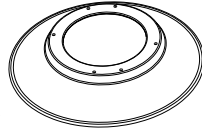
注: 如配金属电缆密封套, 在编码后注明。 Note: If metal cable gland is required, pls note after code.

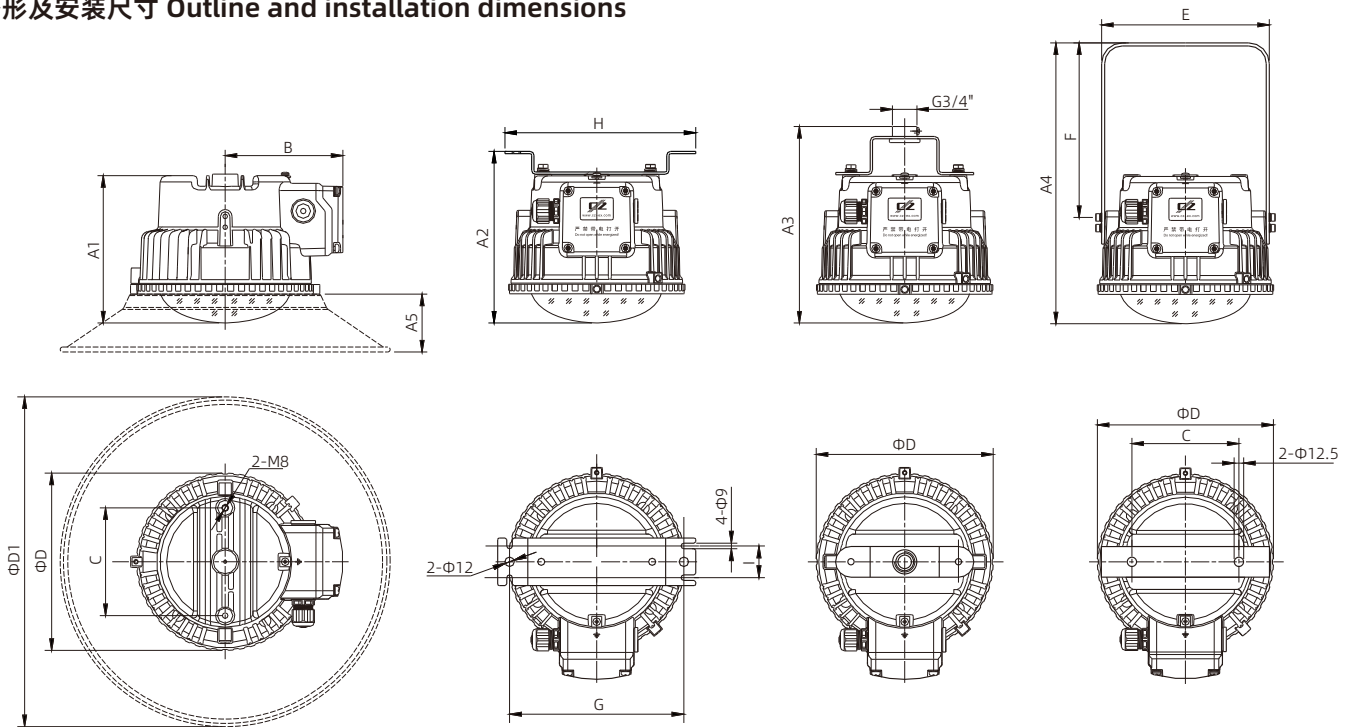
注: C、D—平台灯电缆密封套已标配, 不需再标注。 Note: Cable gland for platform type lamp C, D is equipped, no need to be mentioned.

安装附件 Mounting accessories

图样 Illustration	描述 Descriptions	单位 Unit	订购号 Order No.
 吸顶支架 Ceiling bracket	支架灯附件, 用于CZ6474/235 Accessories for bracket type lamp, for CZ6474/235	套 Set	D8722/1
	支架灯附件, 用于CZ6474/245 Accessories for bracket type lamp, for CZ6474/245	套 Set	D8722/2
 安装支架 Mounting bracket	支架灯附件, 用于CZ6474/235 Accessories for bracket type lamp, for CZ6474/235	套 Set	D8701/1
	支架灯附件, 用于CZ6474/245 Accessories for bracket type lamp, for CZ6474/245	套 Set	D8701/2
 吊式安装支架 Mounting bracket of pendant type	支架灯附件, 用于CZ6474/235 Accessories for bracket type lamp, for CZ6474/235	套 Set	D8702/1
	支架灯附件, 用于CZ6474/245 Accessories for bracket type lamp, for CZ6474/245	套 Set	D8702/2
 G3/4"-300mm直管 Straight pipe	支架灯附件, 材料为镀锌钢管, 表面喷塑 Accessories for bracket type, galvanized steel pipe material and powder coated surface	套 Set	D732
 吊链 (500mm) Chain type accessories	支架灯附件, M8螺钉, 材料为钢制表面镀锌处理 Accessories for bracket type lamp, M8 bolt, made from steel with zinc-coated surface	套 Set	D623
 护栏式灯杆 Lamp pole of fence type	平台灯附件, G1½"镀锌钢管表面喷塑。 Accessories for platform type lamp, G1½" galvanized steel pipe material and powder coated surface	套 Set	D8725
 法兰式灯杆 Lamp pole of flange type	平台灯附件, G1½"镀锌钢管表面喷塑。 Accessories for platform type lamp, G1½" galvanized steel pipe material and powder coated surface	套 Set	D8726

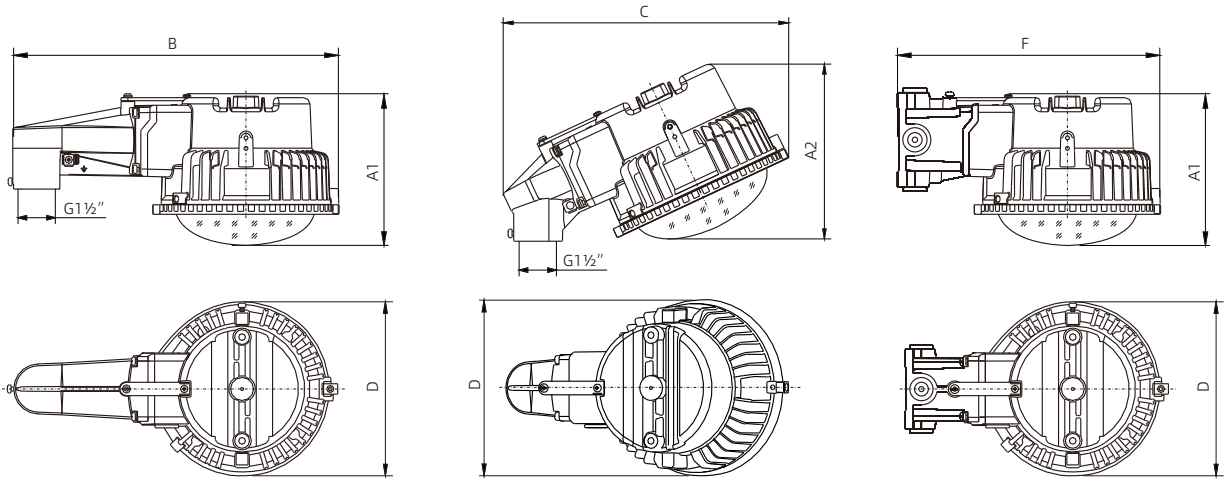
备件 Spare parts

图样 Illustration	描述 Descriptions	单位 Unit	订购号 Order No.	
 网罩 Mesh	用于 CZ6474/235/ 灯具, 材质为不锈钢 Used for CZ6474/235 light fittings, the material is stainless steel	套 Set	D8732/1	
	用于 CZ6474/245/ 灯具, 材质为不锈钢 Used for CZ6474/245 light fittings, the material is stainless steel	套 Set	D8732/2	
 LED 电源驱动 LED Driver	AC100 ~ 240V DC127 ~ 250V	30W	只 Piece	7718/57-1×LED30W
		45W	只 Piece	7718/57-1×LED45W
		60W	只 Piece	7718/57-1×LED60W
		75W	只 Piece	7718/57-1×LED75W
		90W	只 Piece	7718/57-1×LED90W
 灯伞 lamp shade	用于 CZ6474/235/ 灯具 Used for CZ6474/235 light fittings	只 Piece	D8724/5	
	用于 CZ6474/245/ 灯具 Used for CZ6474/245 light fittings	只 Piece	D8724/6	

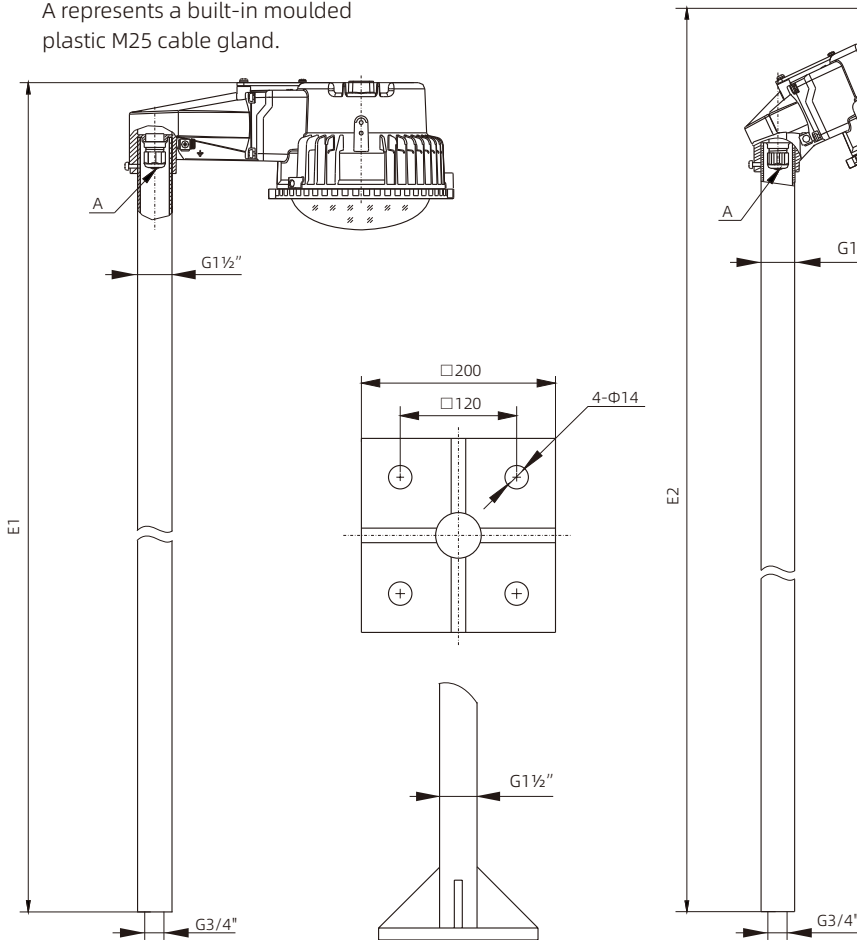
外形及安装尺寸 Outline and installation dimensions


单位 Unit: mm

型号Type	A1	A2	A3	A4	A5	B	C	ΦD	ΦD1	E	F	G	H	I
CZ6474/235□	187	217	251	361	70	153	140	230	400	220	229	220	250	40
CZ6474/245□	195	225	258	403	85	180	160	280	450	268	265	240	270	40

外形及安装尺寸 Outline and installation dimensions

A

A 处表示内装M25塑制电缆密封套
 A represents a built-in moulded plastic M25 cable gland.



单位 Unit: mm

型号Type	CZ6474/235□	CZ6447/245□
A1	187	195
A2	225	253
B	435	485
C	370	415
D	230	280
E1	2470	2470
E2	2590	2620
F	272	377

C – 灯头安装90°护栏式安装
 C – Lamp cap mounted in the angle of 90° Fence type

法兰式安装
 Flange type

D – 灯头安装25°护栏式安装
 D – Lamp cap mounted in the angle of 25° Fence type